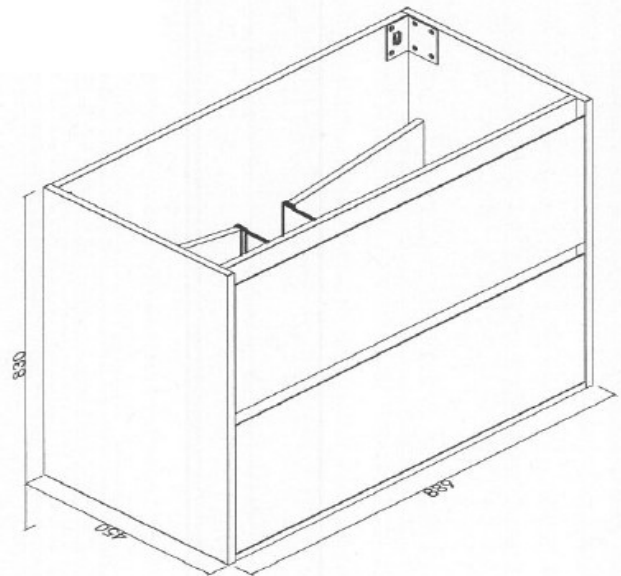
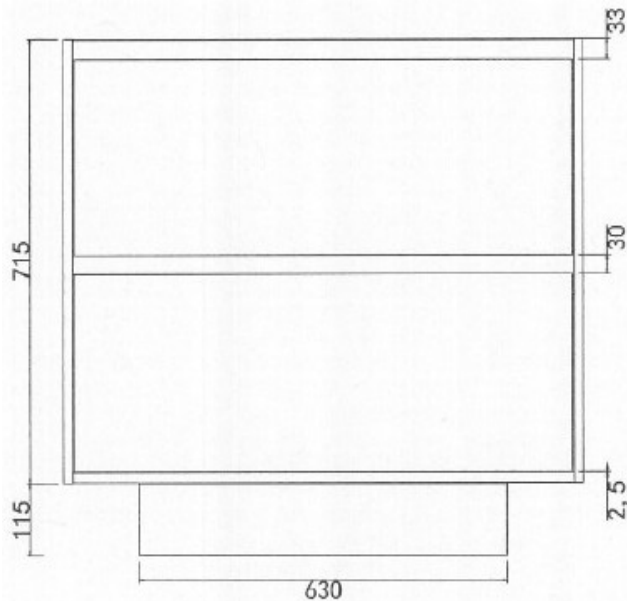




## ZENA 900 M11



|              |  |          |   |
|--------------|--|----------|---|
| PRODUCT CODE | ZF90M11                                | WARRANTY | 12 MONTHS                                       |
| DIMENSIONS   | 889WX450DX830H                         | STYLE    | FLOOR/WALL HUNG WITH CONCEALED REMOVABLE KICKER |
| BRAND        | FREDERIC                               |          |   |
| FINISH       | FRONT AND SIDE PANEL M11 TIMBER FINISH |          |   |

Please note that these dimensions will vary by a few millimeters and DRJ AUSTRALIA PTY LTD is not liable if the installer uses the specifications to rough in, this is only a guide only. DRJ advises to have the DRJ product onsite when roughing in, this will assure the job is done correctly and accurately. Any information in regards to installation, please contact DRJ AUSTRALIA PTY LTD on:

(03) 9768 2222

sales@drj.com.au