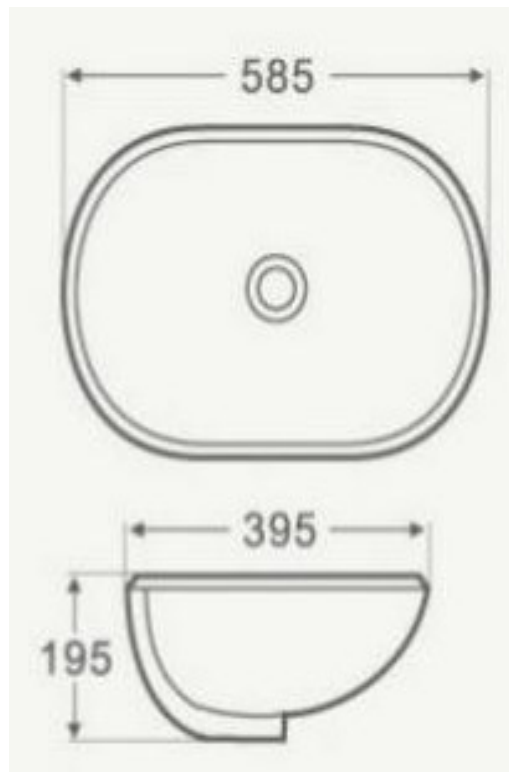




ADRIANO BASIN



PRODUCT CODE	FCB600	STYLE	UNDERMOUNT
DIMENSIONS	580X395X195	WARRANTY	5 YEAR PRODUCT REPLACEMENT & 1 YEAR PARTS & LABOR
BRAND	FREDERIC	WASTE SIZE	32 mm
FINISH	WHITE GLOSS		
MATERIAL	CERAMIC		

Please note that these dimensions will vary by a few millimeters and DRJ AUSTRALIA PTY LTD is not liable if the installer uses the specifications to rough in, this is only a guide only. DRJ advises to have the DRJ product onsite when roughing in, this will assure the job is done correctly and accurately. Any information in regards to installation, please contact DRJ AUSTRALIA PTY LTD on:

(03) 9768 2222
sales@drj.com.au