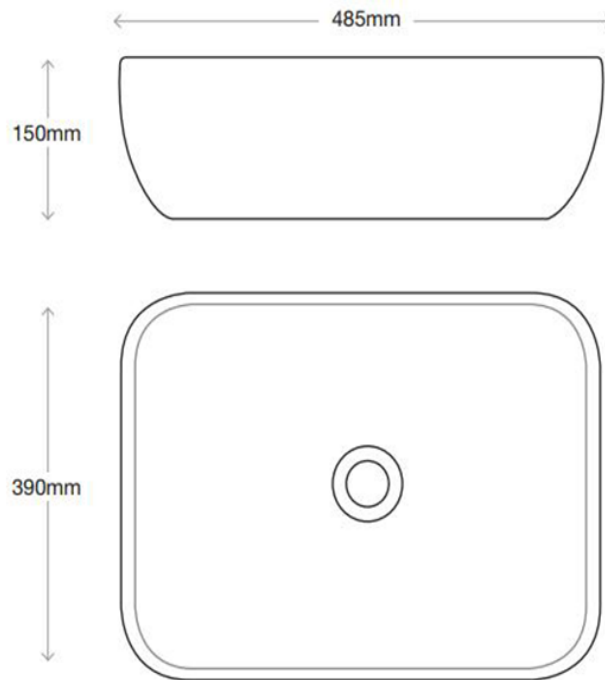




BEC 48 BASIN



PRODUCT CODE	FCB231	STYLE	ABOVE COUNTER
DIMENSIONS	485X390X150	WARRANTY	5 YEAR PRODUCT REPLACEMENT & 1 YEAR PARTS AND LABOR
BRAND	FREDERIC	WASTE SIZE	32 mm
FINISH	GLOSS WHITE		
MATERIAL	CERAMIC		

Please note that these dimensions will vary by a few millimeters and DRJ AUSTRALIA PTY LTD is not liable if the installer uses the specifications to rough in, this is only a guide only. DRJ advises to have the DRJ product onsite when roughing in, this will assure the job is done correctly and accurately. Any information in regards to installation, please contact DRJ AUSTRALIA PTY LTD on:

(03) 9768 2222
sales@drj.com.au