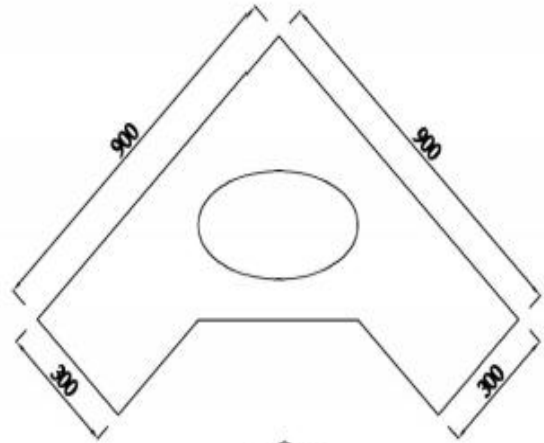
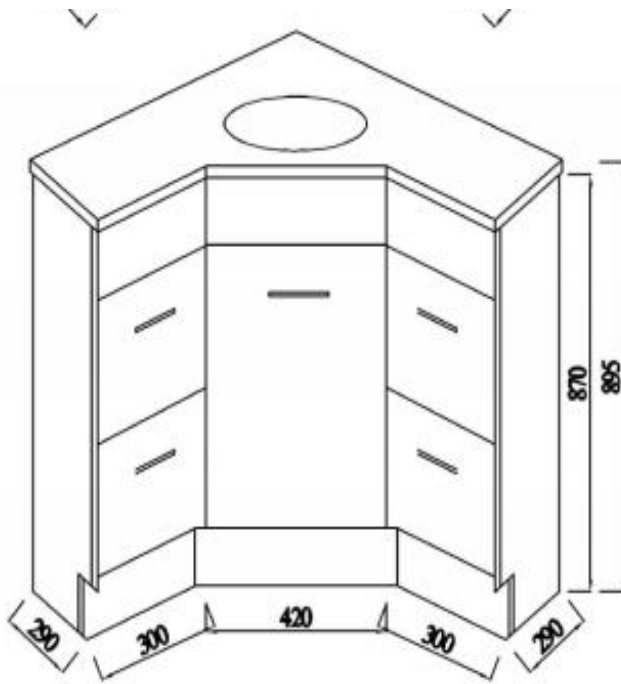




## JADE 9X9



PRODUCT CODE	AJC9X9	WARRANTY	1 YEAR PRODUCT REPLACEMENT
DIMENSIONS	890X890X870	STYLE	FLOOR STANDING
BRAND	FREDERIC		
FINISH	2 PACK GLOSS WHITE FINISH		

Please note that these dimensions will vary by a few millimeters and DRJ AUSTRALIA PTY LTD is not liable if the installer uses the specifications to rough in, this is only a guide only. DRJ advises to have the DRJ product onsite when roughing in, this will assure the job is done correctly and accurately. Any information in regards to installation, please contact DRJ AUSTRALIA PTY LTD on:

(03) 9768 2222  
[sales@drj.com.au](mailto:sales@drj.com.au)